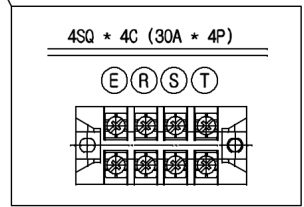
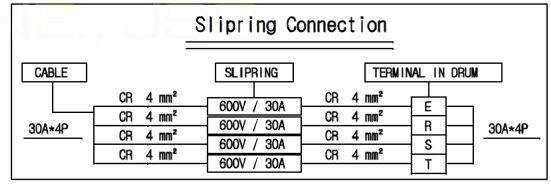
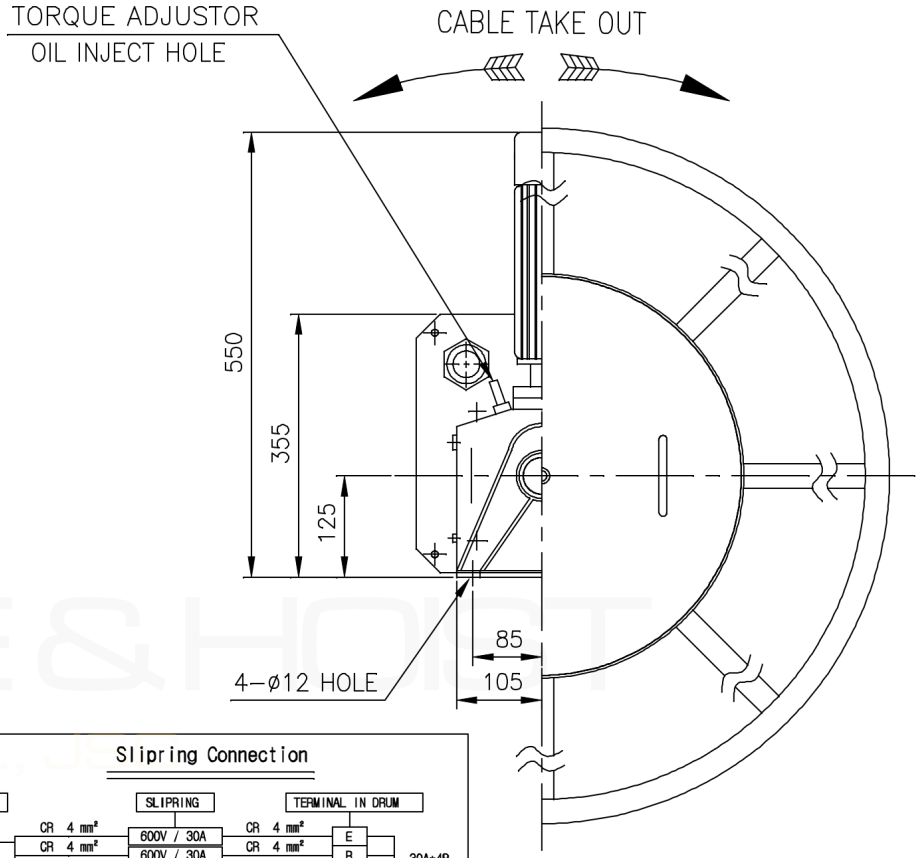
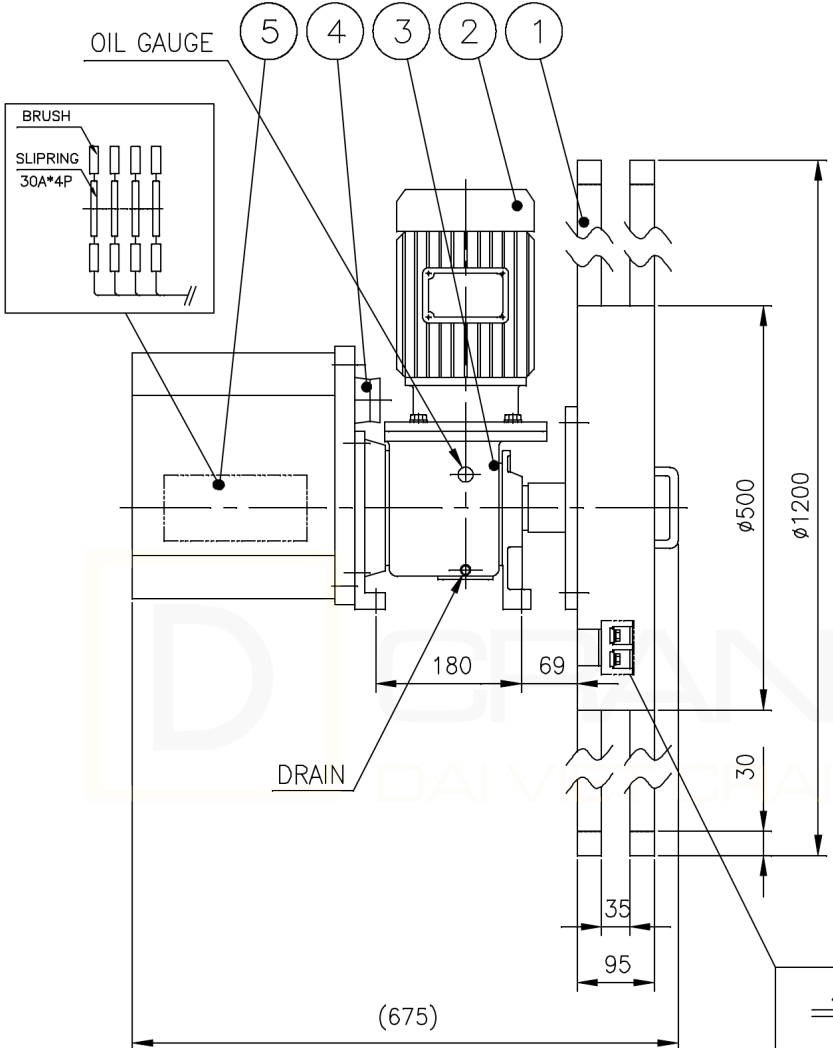
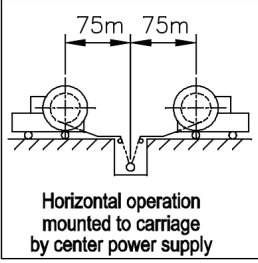
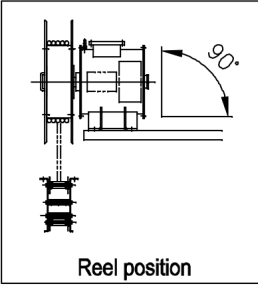
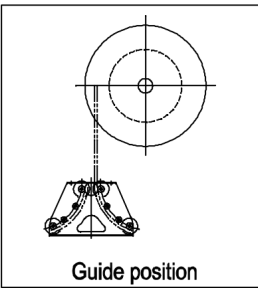


MARK	REVISIONS NO	REASONABLE RVISIONS	DATE	DWN	APVD



**SPECIFICATION**

- |                                  |                              |                             |  |
|----------------------------------|------------------------------|-----------------------------|--|
| 1. Cable                         | o PNCT-F 4 sq x 4c           | o Size : approx. 10 X 29 mm | 5. Power Source : AC 380V, 3ph, 50Hz                     |
|                                  | o Weight : approx. 0.52 kg/m | o Length : 80 M             | 6. Slip Ring : 30A x 4P                                  |
| 2. Winding Length : 75 M         |                              |                             | 7. Paint Color : MUNSELL No. 7.5 BG6/1.5 (Out Door-80um) |
| 3. Winding Speed : max. 22 M/MIN |                              |                             | 8. Setting Height : Max. 1.0 m from G.L.                 |
| 4. Winding Torque : 5 Kg.m       |                              |                             | 9. Q' ty : 1 Set   |

ITEM 순번	PARTS NO. 품번	PART NAME 품명	MATERIAL 재질	Q'TY 수량	REMARKS 비고
5		SLIP RING	C3771	4	
4		CONNECTOR	-	1	
3		REDUCER	-	1	
2		MOTOR	SIEMENS	1	0.75KW
1		DRUM	SPHC	1	

PROJECTION 3rd ANGLE	DIMENSIONS METRIC (mm)	SCALE 1 : 1	MODEL SF1-480-4F
CUSTOMER VNID	PART NAME 외형도		
MODEL COLOR 7.5 BG6/1.5	PART NO. A462-7000		
SIGN S.S.J	DESIGN	CHECK	APPROVAL
DATE 2019.8.12			



A4(210X297)